

# PRODUCT INFORMATION PACKET

Model No: FEH1026SF  
Catalog No: FEH1026SF

Condenser Fans Motor, 1/4 HP, 1 Ph, 60 Hz, 460 V, 1075 RPM, 1 Speed, 48 Frame, TEAO



Regal and are trademarks of Regal Rexnord Corporation or one of its affiliated companies.  
©2022 Regal Rexnord Corporation, All Rights Reserved. MC017097E

**Nameplate Specifications**

Output HP	1/4 Hp	Output KW	0.19 kW
Frequency	60 Hz	Voltage	460 V
Current	1.0 A	Speed	1075 rpm
Service Factor	1	Phase	1
Duty	Air Over	Insulation Class	F
Frame	48	Enclosure	Totally Enclosed Air Over
Thermal Protection	Automatic	Ambient Temperature	70 °C
UL	Recognized	CSA	Y
CE	N	Number of Speeds	1

**Technical Specifications**

Electrical Type	Permanent Split Capacitor	Starting Method	Across The Line
Poles	6	Rotation	Reversible
Mounting	Extended Studs	Motor Orientation	Any
Drive End Bearing	Ball	Opp Drive End Bearing	Ball
Frame Material	Rolled Steel	Shaft Type	Double Flat
Overall Length	12.12 in	Frame Length	4.12 in
Shaft Diameter	0.500 in	Shaft Extension	6.5 in
Outline Drawing	FEH1026SF_FA	Connection Drawing	614131-242

This is an uncontrolled document once printed or downloaded and is subject to change without notice. Date Created:09/15/2022

GENERAL INFORMATION:

SHAFT RUNOUT: .001 [.03] T.I.R. PER INCH LENGTH OF EXTENSION

BEARINGS: BALL

MOUNTING POSITION: ALL ANGLE

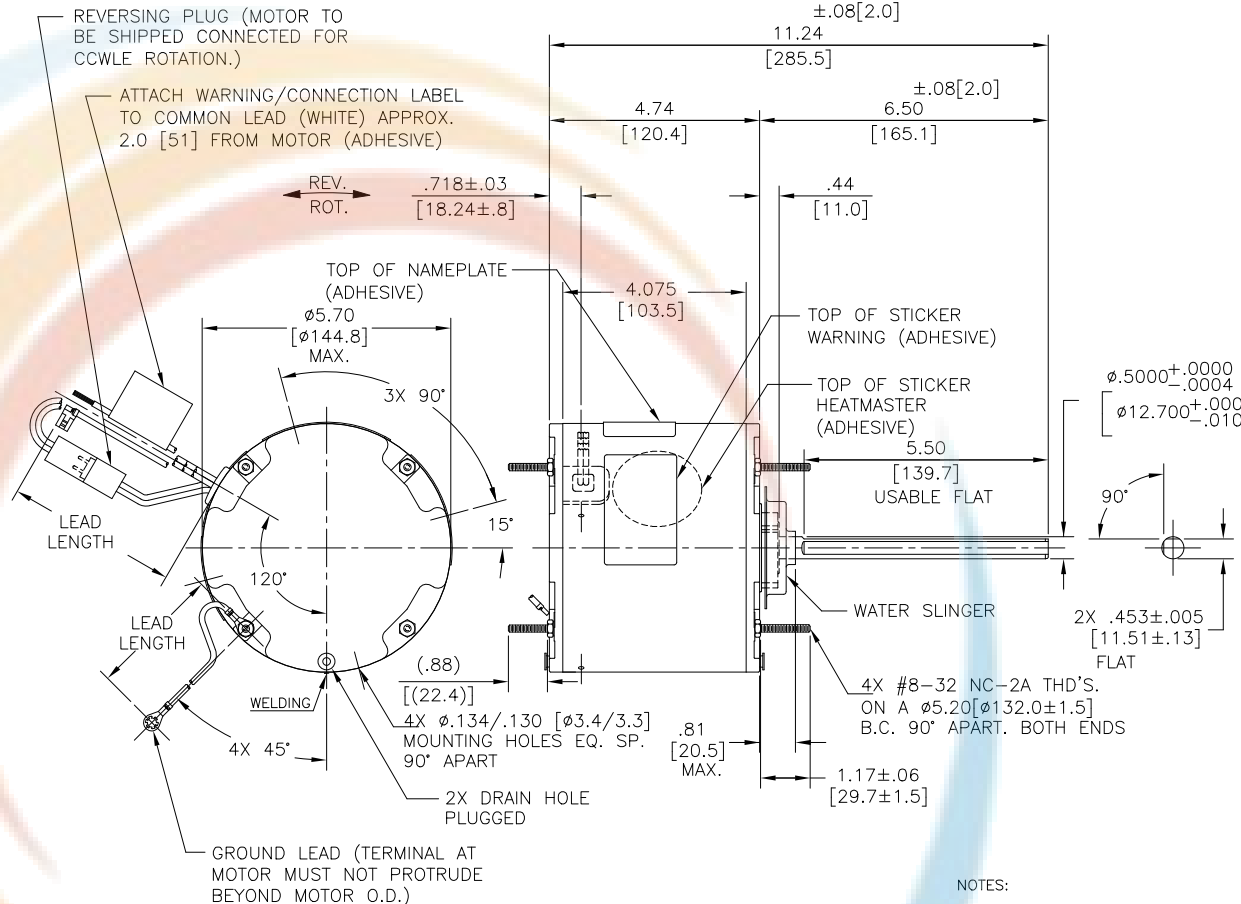
ELECTRICAL DATA:

OVERLOAD PROTECTOR: AUTOMATIC RESET (T.I. 7AM 304)

LINE LEADS: NO. 18 GA., .06 [1.5] THK. XLP 125°C INSUL.

REVERSING PLUGS: NO. 18 GA., .03 [.8] THK. XLP 125°C INSUL.

GROUND LEAD: NO. 18 GA., .03 [.8] THK. (GREEN) INSUL.



- NOTES:
1. ATTACH INSTRUCTION SHEET 69P9-3 ONTO SHAFT APPROX. 1.0" [25] FROM WATER SLINGER
  2. DISTRIBUTION SERVICE CUST. P/N: FEH1026SF GRAINGER CUST. P/N: 4ME14.
  3. 4X SCREWS N194P1504B9 & 4X HEX NUTS N238P15B9 TO BE PUT IN A POLYBAG.
  4. ALL LABEL READ FROM LE
  5. SPRING SHIM IN OLE SIDE

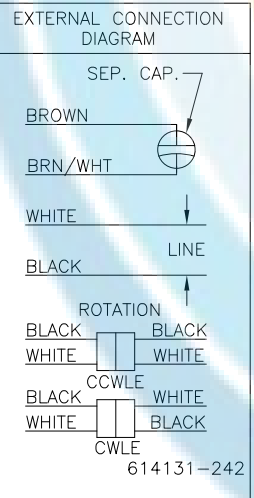
REGAL-BELOIT CORPORATION (RBC) PROVIDES TECHNICAL ASSISTANCE TO OUR CUSTOMERS IN SEVERAL AREAS. SINCE RBC DOES NOT RECEIVE ALL DATA CONCERNING THE USE AND APPLICATION OF THE MOTOR, THE SUITABILITY OF THE MOTOR FOR THE APPLICATION MUST BE DETERMINED BY THE CUSTOMER.

DIMENSIONS WITHOUT TOLERANCES ARE FOR REFERENCE ONLY.

MAIN FRAME - OLE	ENCLOSED
END FRAME - OLE	ENCLOSED
MAIN FRAME - LE	ENCLOSED
END FRAME - LE	ENCLOSED

CUSTOMER	DISTRIBUTION SERVICE
----------	----------------------

SAMPLE SM19-425  
NAMEPLATE DATA:  
MODEL NO.: 5KCP39HGDD678S  
CUST. P/N: FEH1026SF  
HP: 1/4  
ROT.: REVERSIBLE  
RPM: 1075  
TYPE: UF  
FRAME: 48  
VOLTS: 460  
PH: 1  
AMPS: 1.0  
HZ: 60  
INS.: F  
AMB.: 70°C  
DUTY: AIR OVER  
CAP.: 7.5 MFD/370 V  
THERMALLY PROTECTED



GREEN (GROUND)	12.0/13.0 [305/330]	#10 EYELET
BLACK/WHITE	3.0/5.0 [76/127]	REVERSING PLUG
BROWN	48.0/51.0 [1219/1295]	.25 [6.4] FLAG
BROWN/WHITE	48.0/51.0 [1219/1295]	.25 [6.4] FLAG
WHITE	48.0/51.0 [1219/1295]	.50 [12.7] SKIN
BLACK	48.0/51.0 [1219/1295]	.50 [12.7] SKIN
COLOR	LENGTH	TERMINAL OR STRIP LENGTH

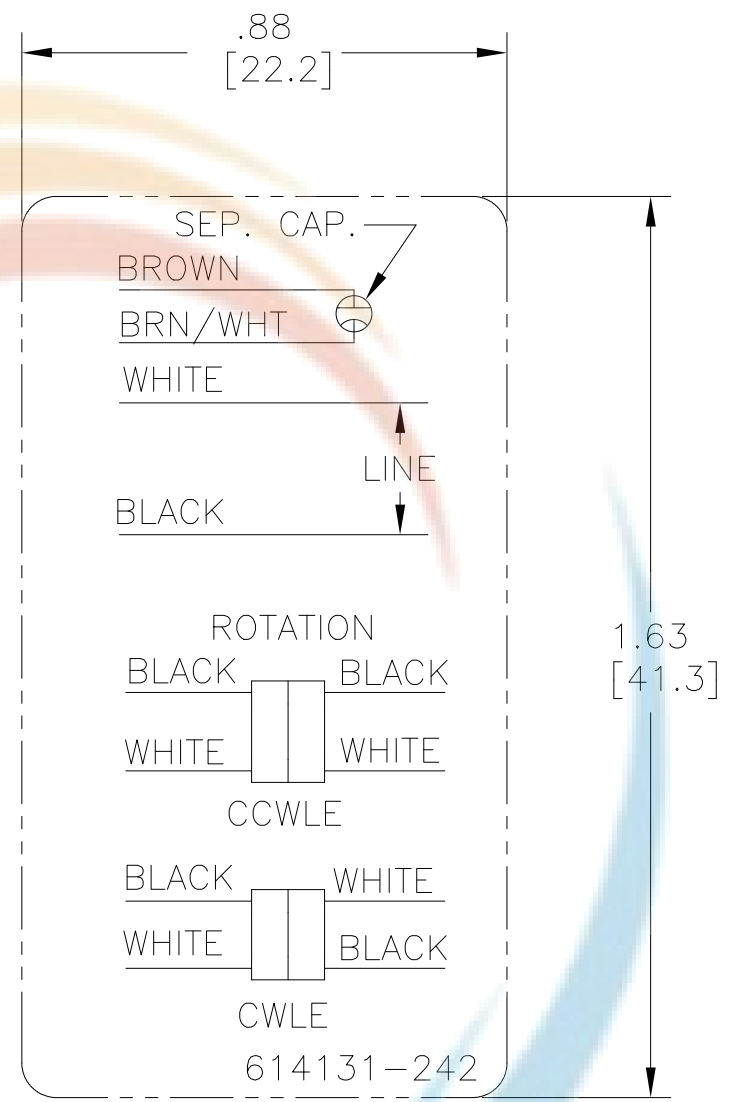
LEAD DATA

DRAWING REVISION	REVISION BY	DATE
EB	MG	16-04-22
ECO	APPROVED BY	DATE
ECO-0216351	LS	16-04-22
ECO DESCRIPTION		
ENERGY CONSERVATIONIST STICKER IS REMOVED		
<small>COPYRIGHT REGAL-BELOIT AMERICA, INC. ALL RIGHTS RESERVED. PROPRIETARY AND CONFIDENTIAL INFORMATION - THIS DOCUMENT IS THE PROPERTY OF REGAL-BELOIT AMERICA, INC. (OWNER) AND COMPANY OWNER'S PROPRIETARY INFORMATION. ANY PERSON, CORPORATION OR OTHER ENTITY, DUPLICATED, AND/OR USED, EXCEPT BY RECEIVING IT, TO AGREE THAT IT, AND/OR ANY PART OF IT, SHALL NOT BE DISCLOSED TO ANY PERSON, CORPORATION OR OTHER ENTITY, DUPLICATED, AND/OR USED, EXCEPT AS EXPRESSLY APPROVED IN WRITING IN ADVANCE BY OWNER. THIS DOCUMENT SHALL BE RETURNED TO OWNER UPON REQUEST. IT MAY BE SUBJECT TO CERTAIN RESTRICTIONS UNDER APPLICABLE EXPORT CONTROL LAWS AND REGULATIONS.</small>		

ENCLOSURE







DRAWN BY:	MK
DATE:	13.11.19
APPROVED BY:	LS
DATE:	13.11.19
PROCESS/FINISH	
THIRD ANGLE PROJECTION	

Regal Beloit America, Inc.	
DESCRIPTION	MODEL-RFHP-48FR OUTLINE
MATERIAL	-
SIZE	DWG NO FEH1026SF_FA
SHEET	1



NOTES:

1. FOR USE WITH 614129 NAMEPLATE BLANK
2. — — — — — INDICATES DIMENSION LIMITS
3. DIE TO BE MADE FROM MASTER SUPPLIED BY REGAL REXNORD CORPORATION
4. DIE MUST PRODUCE A LEGIBLE IMPRESSION.

DRAWING REVISION H		REVISION BY J. RUPERT	DATE 03-16-2022	TOLERANCES UNLESS OTHERWISE SPECIFIED		DRAWN BY: YL		 <b>Regal Beloit America, Inc.</b>		
ECO NMR-0213140		APPROVED BY J. RUPERT	DATE 03-16-2022	DEC.	INCH	mm	ANGLE			DATE: 04-15-2011
ECO DESCRIPTION REVISED FOR UP ISSUED				.X	±0.1	[±2.5]	±0.5°	APPROVED BY: HZ	DESCRIPTION CONNECTION DIAGRAM EXTERNAL	
<small>COPYRIGHT REGAL BELOIT AMERICA, INC. ALL RIGHTS RESERVED. PROPRIETARY AND CONFIDENTIAL INFORMATION - THIS DOCUMENT IS THE PROPERTY OF REGAL BELOIT AMERICA, INC. ("OWNER") AND CONTAINS OWNER'S PROPRIETARY INFORMATION. ANY PERSON, CORPORATION OR OTHER FIRM RECEIVING IT IS DEEMED, BY RECEIVING IT, TO AGREE THAT IT, AND/OR ANY PART OF IT, SHALL NOT BE DISCLOSED TO ANY PERSON, CORPORATION OR OTHER ENTITY, DUPLICATED, AND/OR USED, EXCEPT AS EXPRESSLY APPROVED IN WRITING IN ADVANCE BY OWNER. THIS DOCUMENT SHALL BE RETURNED TO OWNER UPON REQUEST. IT MAY BE SUBJECT TO CERTAIN RESTRICTIONS UNDER APPLICABLE EXPORT CONTROL LAWS AND REGULATIONS.</small>				.XX	±0.02	[±0.51]		DATE: 04-15-2011		
				MATERIAL		PROCESS/FINISH		.XXX	±0.005	[±0.127]
SIZE		DWG NO		.XXXX	±0.0005	[±0.0127]				
THIRD ANGLE PROJECTION		SHEET		REMOVE BURRS & BREAK SHARP EDGES .003/.015 [0.076/.381] X 45°				MATERIAL		
		1		CORNER FILLETS R.02 [.51]				PROCESS/FINISH		
		4 of 4		MACHINED SURFACES				DESCRIPTION		
		614131-242		<small>INCH <sup>125</sup> / mm <sup>3.2</sup></small> mm SHOWN IN [BRACKETS]				CONNECTION DIAGRAM		
				MACHINED SURFACES <small>INCH <sup>125</sup> / mm <sup>3.2</sup></small> mm SHOWN IN [BRACKETS]				EXTERNAL		
				MACHINED SURFACES <small>INCH <sup>125</sup> / mm <sup>3.2</sup></small> mm SHOWN IN [BRACKETS]				614131-242		