

Job Name \_\_\_\_\_  
 Purchaser \_\_\_\_\_  
 Submitted to \_\_\_\_\_  
 Unit Designation \_\_\_\_\_

Location \_\_\_\_\_  
 Engineer \_\_\_\_\_  
 Reference \_\_\_\_\_ Approval \_\_\_\_\_ Construction \_\_\_\_\_  
 Schedule # \_\_\_\_\_

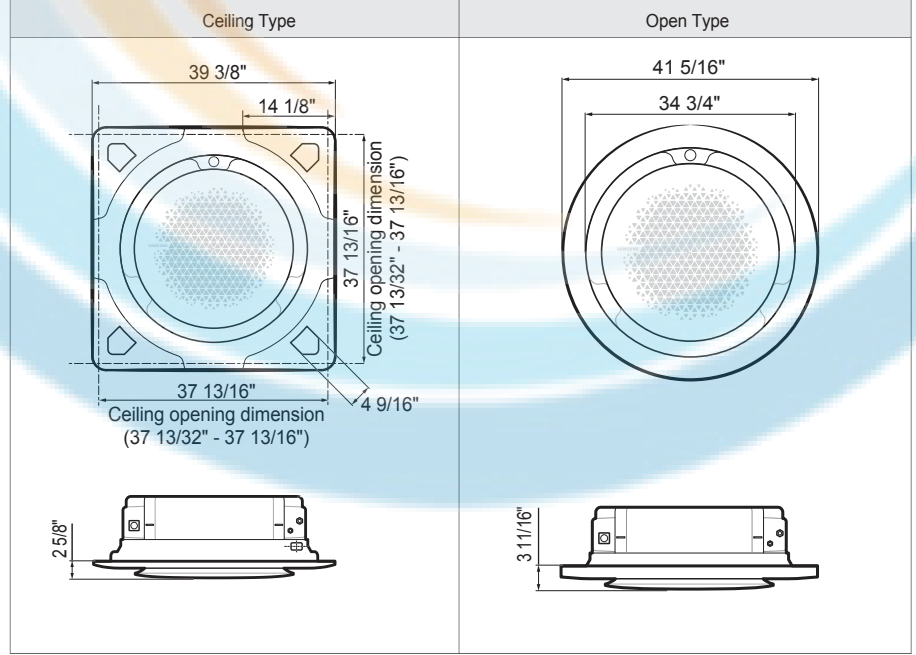
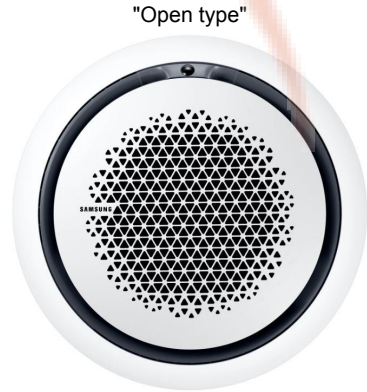
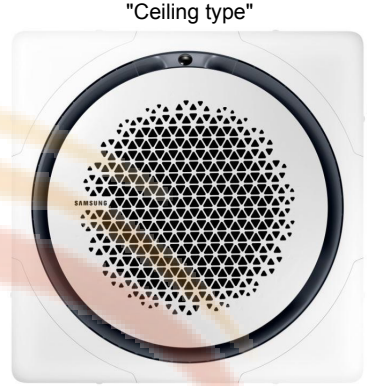
Model Number	Description
PC4NUDMAN	White, "ceiling type" (square)
PC4NBDMAN	Black, "ceiling type" (square)
PC4NUNMAN	White, "open type" (round)
PC4NBNMAN	Black, "open type" (round)

**Specifications**

- Fascia panel for Samsung 360 cassette indoor units (AM0\*\*KN4DCH/AA, ACO\*\*KN4DCH/AA)
- HIPS chassis certified to UL94 V0
- Built-in IR receiver for optional wireless control (AR-KH00 or AR-KH00U wireless controller required, purchased separately).
- LED status display
- The panel shall include 1 X electrostatic, washable, pleated filters and all necessary mounting hardware as standard.
- Fascia panel is powered and controlled by the indoor unit PCB
- "Ceiling type" (square) and "open type" (round) options are available
- White and black color options

**Dimensions**

Ceiling Type (Square)	L X W X H (inches)	39 3/8 X 39 3/8 X 2 5/8
	Weight (lbs.)	7.94
Open Type (Circle)	Diameter X H (inches)	41 5/16 X 3 11/16
	Weight (lbs.)	5.95



Job Name \_\_\_\_\_  
 Purchaser \_\_\_\_\_  
 Submitted to \_\_\_\_\_  
 Unit Designation \_\_\_\_\_

Location \_\_\_\_\_  
 Engineer \_\_\_\_\_  
 Reference \_\_\_\_\_ Approval \_\_\_\_\_ Construction \_\_\_\_\_  
 Schedule # \_\_\_\_\_

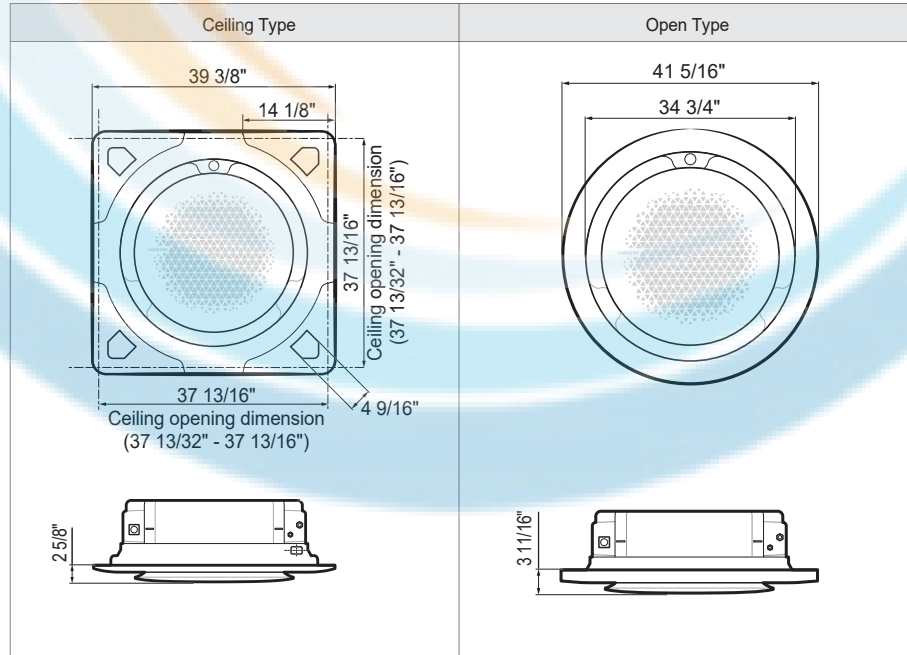
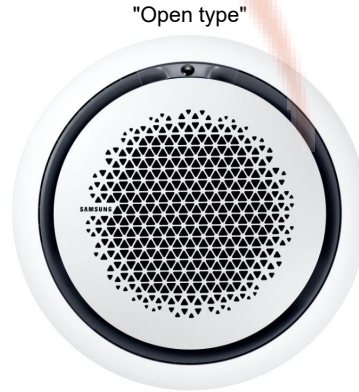
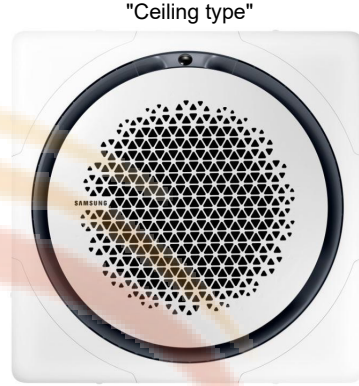
Model Number	Description
PC4NUDMUN	White, "ceiling type" (square)
PC4NBDMUN	Black, "ceiling type" (square)
PC4NUNMUN	White, "open type" (round)
PC4NBNMUN	Black, "open type" (round)

**Specifications**

- Fascia panel for Samsung 360 cassette indoor units (AM0\*\*KN4DCH/AA, AC0\*\*KN4DCH/AA, and AC0\*\*BN6DCH/AA)
- HIPS chassis certified to UL94 V0
- Built-in IR receiver for optional wireless control (AR-KH00U, AR-KH03U, or AR-KH04U) wireless controller required, purchased separately).
- LED status display
- The panel shall include 1 X electrostatic, washable, pleated filters and all necessary mounting hardware as standard.
- Fascia panel is powered and controlled by the indoor unit PCB
- "Ceiling type" (square) and "open type" (round) options are available
- White and black color options

**Dimensions**

Ceiling Type (Square)	L X W X H (inches)	39 3/8 X 39 3/8 X 2 5/8
	Weight (lbs.)	7.94
Open Type (Circle)	Diameter X H (inches)	41 5/16 X 3 11/16
	Weight (lbs.)	5.95



Samsung HVAC maintains a policy of ongoing development, specifications are subject to change without notice.

[www.SamsungHVAC.com](http://www.SamsungHVAC.com)

888-699-6067